

NO VALUE CAPACITOR:
 0.01 MF
 Δ 0.001MF
 ⊕ MAYLAR CAPACITOR
 ⊙ TANTALUM CAPACITOR

/RF OUT
 RG IN
 ONE SW
 GND

TONE DEC
 SGL. SW. (S807)
 TONE SW

I.F. SYSTEM (50-562-01)

XF: 16M/13B

10 16V
 R2N 2N
 C82 10 16V
 TH1 3K
 C132 10 16V
 D25 1SS193
 C129 47 H
 C130

L.P.F. (50-380-02)
 f=2800Hz
 IN
 GND
 OUT
 B+
 COM 6V

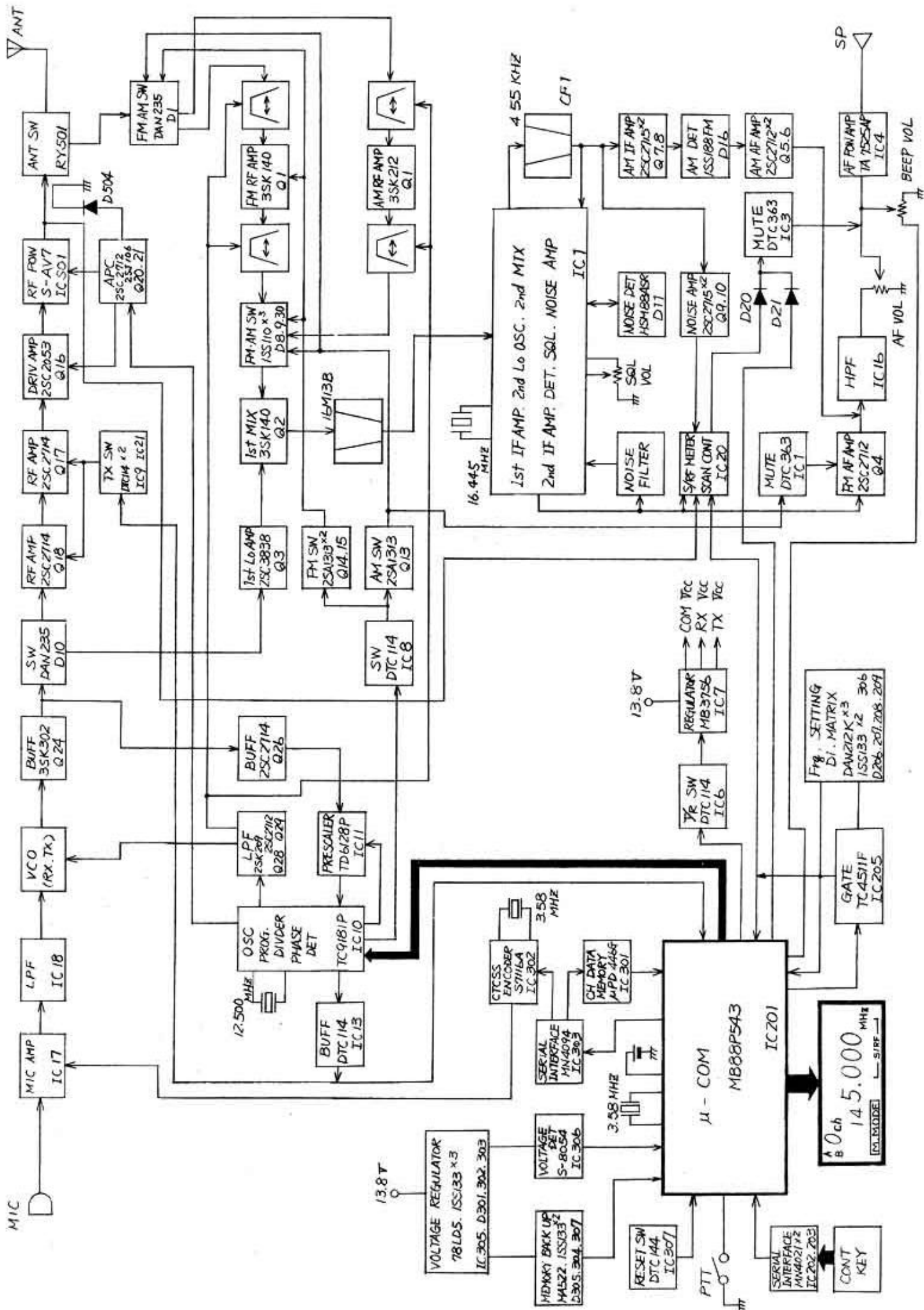
IC8
 DTC124EK
 2SA1313Y x3
 R125 47K
 R71 10K
 R72 47K
 R73 22K
 R74 22K
 R75 22K
 R76 22K
 R77 22K
 R78 22K
 R79 22K
 R80 22K
 R81 22K
 R82 22K
 R83 22K
 R84 22K
 R85 22K
 R86 22K
 R87 22K
 R88 22K
 R89 22K
 R90 22K
 R91 22K
 R92 22K
 R93 22K
 R94 22K
 R95 22K
 R96 22K
 R97 22K
 R98 22K
 R99 22K
 R100 22K

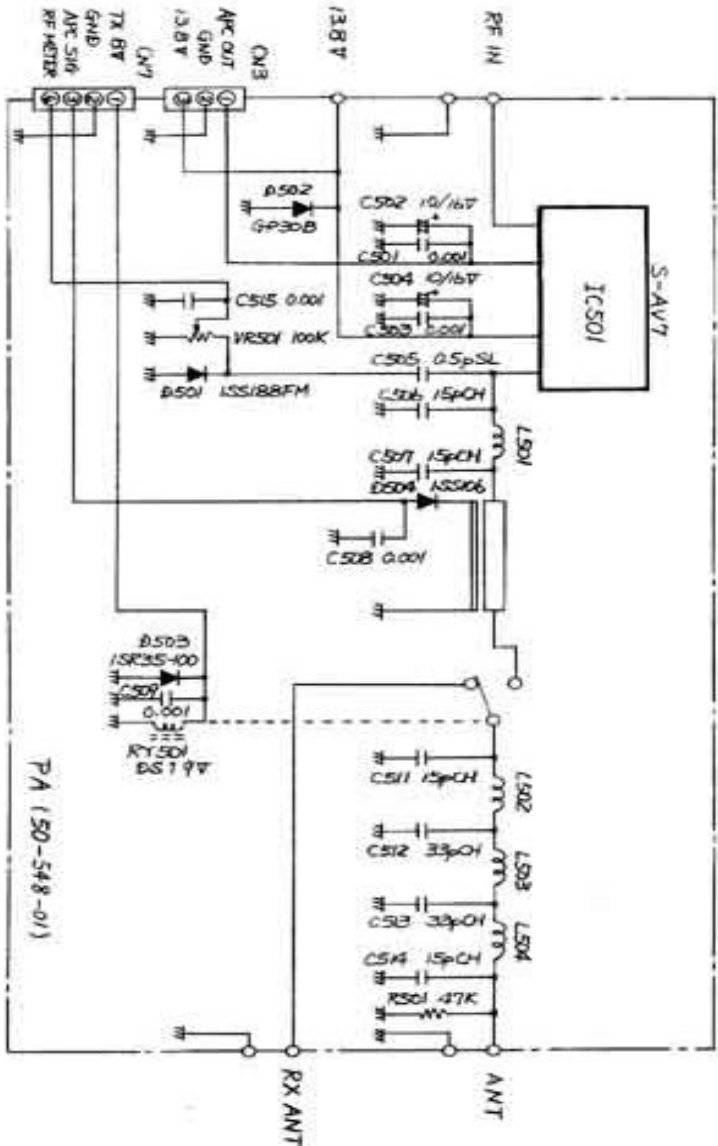
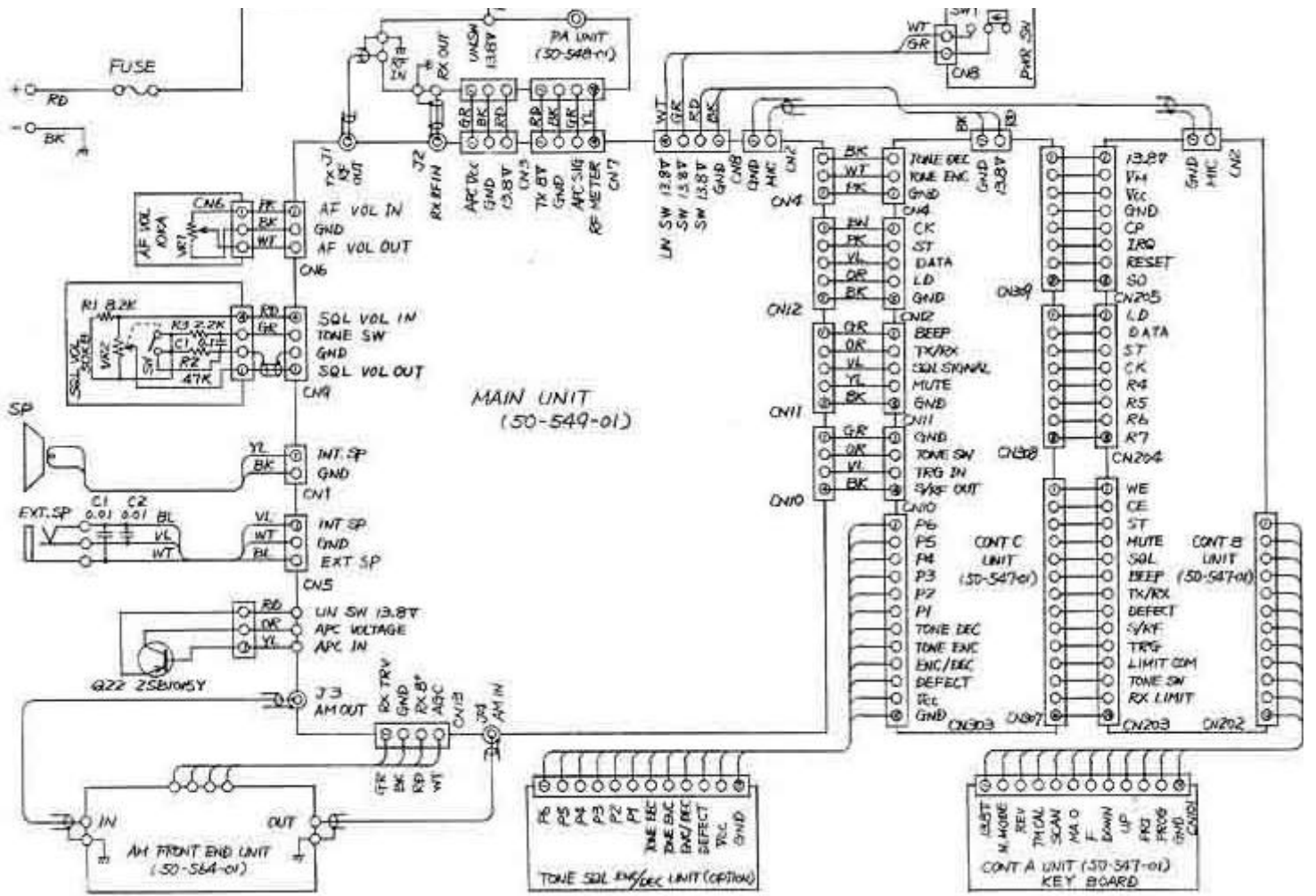
IC19
 Q1 2SC2715Y
 Q2 2SC2712Y
 R1 39K
 R2 15K
 R3 82K
 R4 33K
 R5 10K
 R6 10K
 R7 10K
 R8 10K
 R9 10K
 R10 10K
 R11 10K
 R12 10K
 R13 10K
 R14 10K
 R15 10K
 R16 10K
 R17 10K
 R18 10K
 R19 10K
 R20 10K
 R21 10K
 R22 33K
 R23 15K
 R24 15K
 R25 15K
 R26 15K
 R27 15K
 R28 15K
 R29 15K
 R30 15K
 R31 15K
 R32 15K
 R33 15K
 R34 15K
 R35 15K
 R36 15K
 R37 15K
 R38 15K
 R39 15K
 R40 15K
 R41 15K
 R42 15K
 R43 15K
 R44 15K
 R45 15K
 R46 15K
 R47 15K
 R48 15K
 R49 15K
 R50 15K
 R51 15K
 R52 220K
 R53 220K
 R54 220K
 R55 220K
 R56 220K
 R57 220K
 R58 220K
 R59 220K
 R60 1K
 R61 1K
 R62 1K
 R63 1K
 R64 1K
 R65 1K
 R66 1K
 R67 1K
 R68 1K
 R69 1K
 R70 1K
 R71 1K
 R72 1K
 R73 1K
 R74 1K
 R75 1K
 R76 1K
 R77 1K
 R78 1K
 R79 1K
 R80 1K
 R81 1K
 R82 1K
 R83 1K
 R84 1K
 R85 1K
 R86 1K
 R87 1K
 R88 1K
 R89 1K
 R90 1K
 R91 1K
 R92 1K
 R93 1K
 R94 1K
 R95 1K
 R96 1K
 R97 1K
 R98 1K
 R99 1K
 R100 1K

IC15
 DTC363EK
 RX B+
 R49 6.8K
 R50 6.8K
 R51 1.5K
 R52 220K
 R53 220K
 R54 220K
 R55 220K
 R56 220K
 R57 220K
 R58 220K
 R59 220K
 R60 1K
 R61 1K
 R62 1K
 R63 1K
 R64 1K
 R65 1K
 R66 1K
 R67 1K
 R68 1K
 R69 1K
 R70 1K
 R71 1K
 R72 1K
 R73 1K
 R74 1K
 R75 1K
 R76 1K
 R77 1K
 R78 1K
 R79 1K
 R80 1K
 R81 1K
 R82 1K
 R83 1K
 R84 1K
 R85 1K
 R86 1K
 R87 1K
 R88 1K
 R89 1K
 R90 1K
 R91 1K
 R92 1K
 R93 1K
 R94 1K
 R95 1K
 R96 1K
 R97 1K
 R98 1K
 R99 1K
 R100 1K

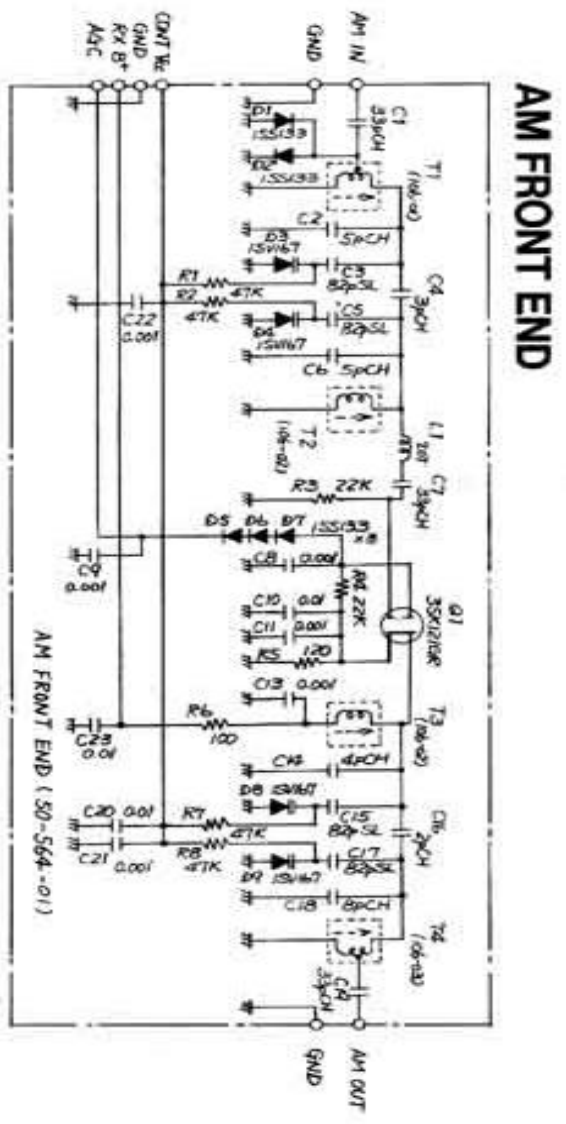
IC14
 DTC124EK
 VR5 47K
 VR6 47K
 VR7 47K
 VR8 47K
 VR9 47K
 VR10 47K
 VR11 47K
 VR12 47K
 VR13 47K
 VR14 47K
 VR15 47K
 VR16 47K
 VR17 47K
 VR18 47K
 VR19 47K
 VR20 47K
 VR21 47K
 VR22 47K
 VR23 47K
 VR24 47K
 VR25 47K
 VR26 47K
 VR27 47K
 VR28 47K
 VR29 47K
 VR30 47K
 VR31 47K
 VR32 47K
 VR33 47K
 VR34 47K
 VR35 47K
 VR36 47K
 VR37 47K
 VR38 47K
 VR39 47K
 VR40 47K
 VR41 47K
 VR42 47K
 VR43 47K
 VR44 47K
 VR45 47K
 VR46 47K
 VR47 47K
 VR48 47K
 VR49 47K
 VR50 47K
 VR51 47K
 VR52 47K
 VR53 47K
 VR54 47K
 VR55 47K
 VR56 47K
 VR57 47K
 VR58 47K
 VR59 47K
 VR60 47K
 VR61 47K
 VR62 47K
 VR63 47K
 VR64 47K
 VR65 47K
 VR66 47K
 VR67 47K
 VR68 47K
 VR69 47K
 VR70 47K
 VR71 47K
 VR72 47K
 VR73 47K
 VR74 47K
 VR75 47K
 VR76 47K
 VR77 47K
 VR78 47K
 VR79 47K
 VR80 47K
 VR81 47K
 VR82 47K
 VR83 47K
 VR84 47K
 VR85 47K
 VR86 47K
 VR87 47K
 VR88 47K
 VR89 47K
 VR90 47K
 VR91 47K
 VR92 47K
 VR93 47K
 VR94 47K
 VR95 47K
 VR96 47K
 VR97 47K
 VR98 47K
 VR99 47K
 VR100 47K

IC17
 741
 IC18
 741
 IC19
 741
 IC20
 741
 IC21
 741
 IC22
 741
 IC23
 741
 IC24
 741
 IC25
 741
 IC26
 741
 IC27
 741
 IC28
 741
 IC29
 741
 IC30
 741
 IC31
 741
 IC32
 741
 IC33
 741
 IC34
 741
 IC35
 741
 IC36
 741
 IC37
 741
 IC38
 741
 IC39
 741
 IC40
 741
 IC41
 741
 IC42
 741
 IC43
 741
 IC44
 741
 IC45
 741
 IC46
 741
 IC47
 741
 IC48
 741
 IC49
 741
 IC50
 741
 IC51
 741
 IC52
 741
 IC53
 741
 IC54
 741
 IC55
 741
 IC56
 741
 IC57
 741
 IC58
 741
 IC59
 741
 IC60
 741
 IC61
 741
 IC62
 741
 IC63
 741
 IC64
 741
 IC65
 741
 IC66
 741
 IC67
 741
 IC68
 741
 IC69
 741
 IC70
 741
 IC71
 741
 IC72
 741
 IC73
 741
 IC74
 741
 IC75
 741
 IC76
 741
 IC77
 741
 IC78
 741
 IC79
 741
 IC80
 741
 IC81
 741
 IC82
 741
 IC83
 741
 IC84
 741
 IC85
 741
 IC86
 741
 IC87
 741
 IC88
 741
 IC89
 741
 IC90
 741
 IC91
 741
 IC92
 741
 IC93
 741
 IC94
 741
 IC95
 741
 IC96
 741
 IC97
 741
 IC98
 741
 IC99
 741
 IC100
 741





PA



AM FRONT END